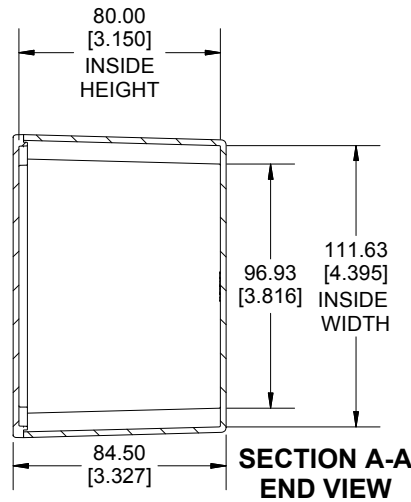
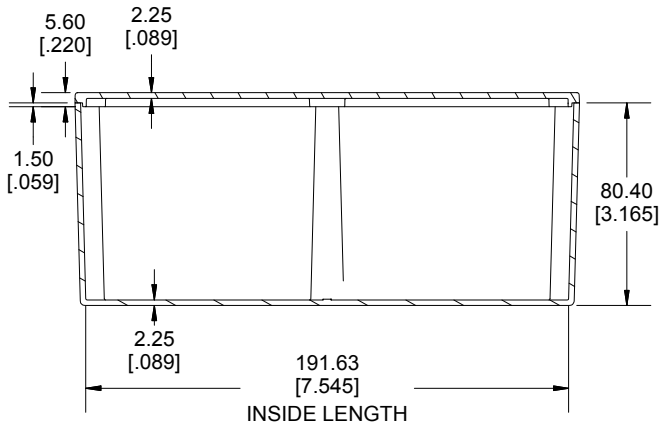
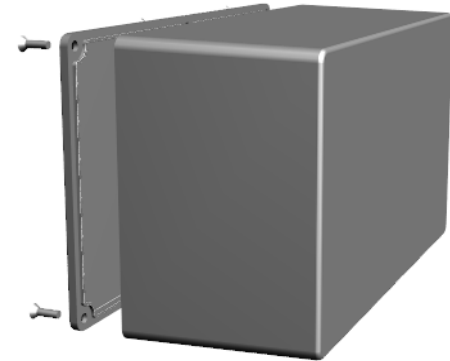


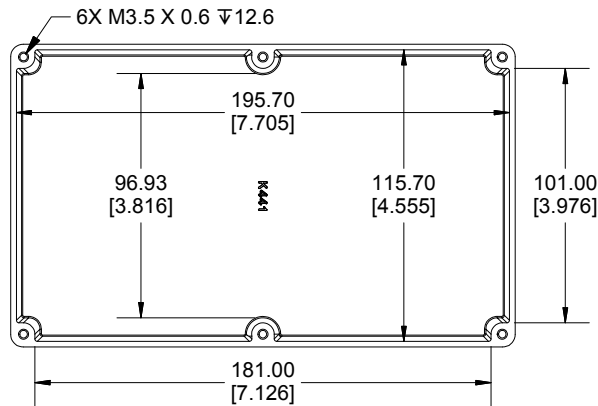
TOP VIEW



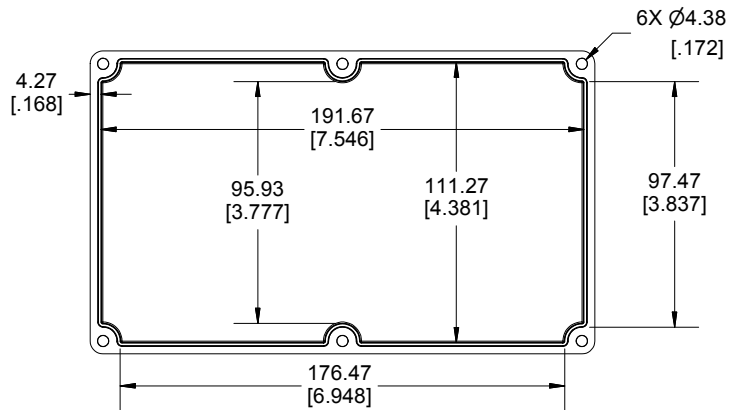
SECTION A-A
END VIEW



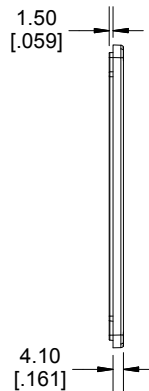
SECTION B-B
SIDE VIEW



INSIDE BOX



INSIDE LID



Enclosures can be Factory Modified (Milling, Drilling, Printing etc.)
Contact Factory (modshop@hammondmfg.com) for quotes
Solid models of this enclosure available in STEP or IGES.
(Part number and text placement/orientation on our products are subject to change,
we do not recommend using them as a locating reference for modification purposes)

NOTE	
Purchased assembly includes box, lid and 6 cover screws.	
Box and lid are made from Diecast Aluminum Alloy.	
Silicone Gasket supplied with liquid resistant enclosure.	
Recommended Torque: 50-55 cN.m [71-78 ozf.in]	
Recommended Torque with Gasket : 25-30 cN.m [36-43 ozf.in]	

PART NUMBERS	
1590EE Enclosure	
Natural Finish Enclosure	1590EE
Black Textured Enclosure	1590EEBK
1590EE Liquid Resistant Enclosure (Silicone Gasket)	
Natural Finish Enclosure	1590WEE
Black Textured Enclosure	1590WEEBK
ACCESSORIES	
Liquid Resistant Cover Screws	
Stainless Steel Cover Screws (Pkg 100) [M3.5 x 12mm, With O-Ring]	1550WMS100
Black Stainless Steel Cover Screws (Pkg 100) [M3.5 x 12mm, With O-Ring]	1550WMS100BK
Standard Cover Screws	
Plated Cover Screws (Pkg 100) [M3.5 x 12mm]	1550MS100
Black Cover Screws (Pkg 100) [M3.5 x 12mm]	1550MS100BK

**HAMMOND
MANUFACTURING®**

1590EE

www.hammondmfg.com

Dimensions:
mm
[inches]